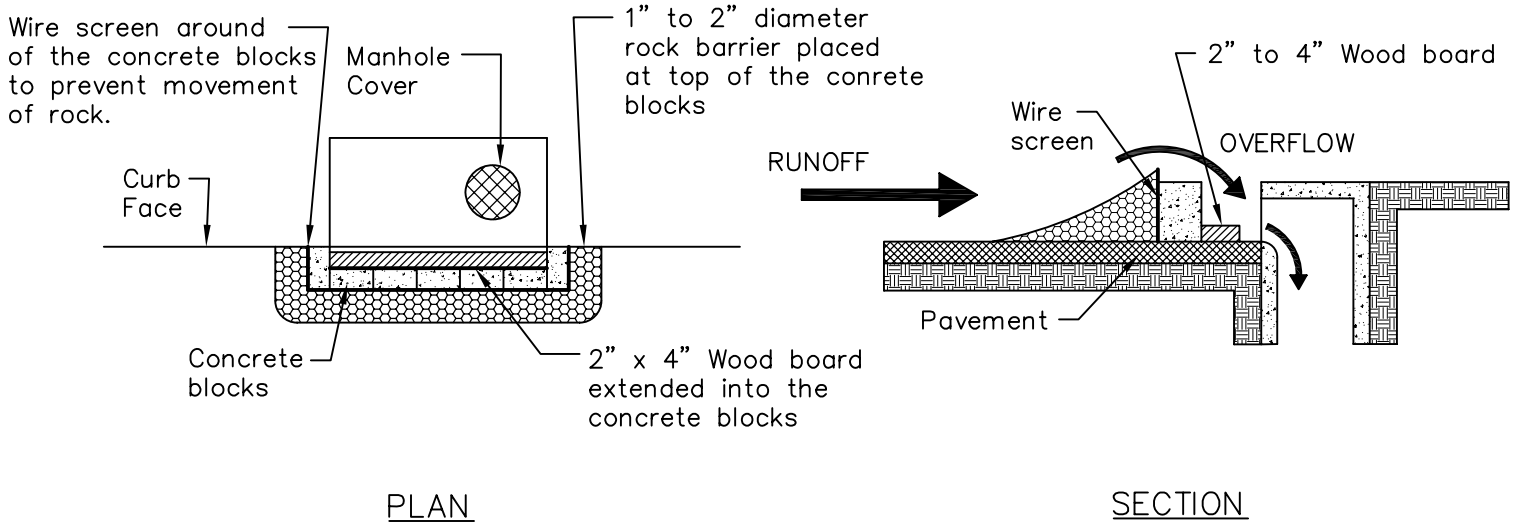
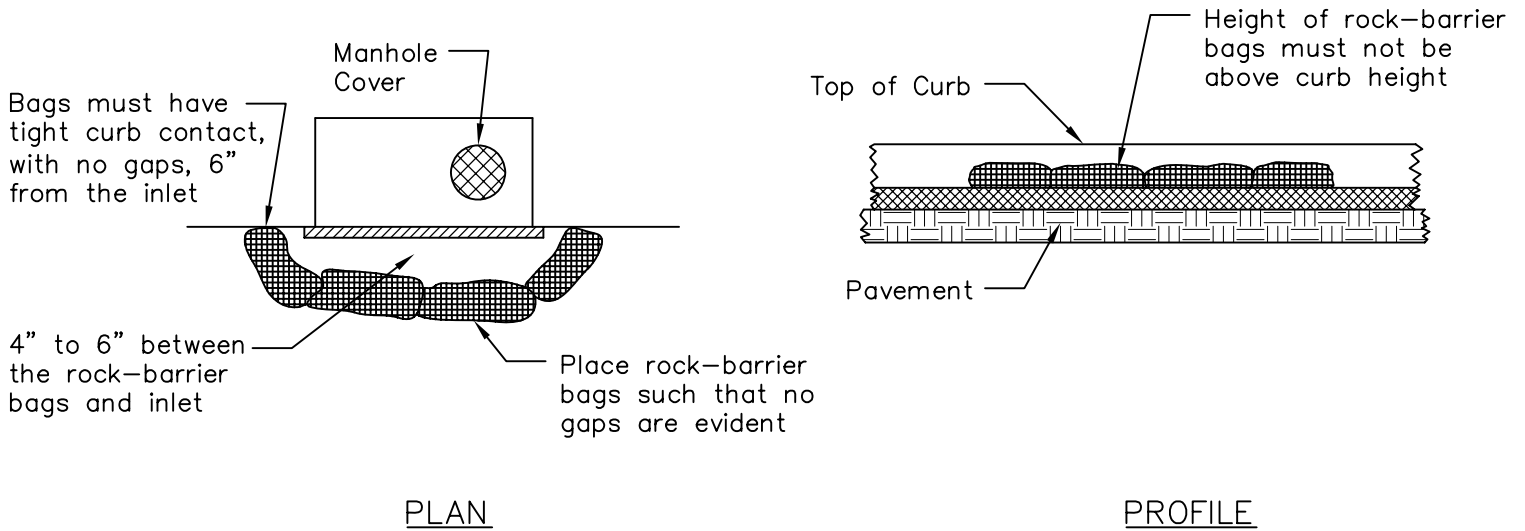


CONCRETE BLOCK BARRIER



ROCK BARRIER BAGS



NOTES:

1) Rock-barrier bags shall contain 1" to 2" diameter rock contained in pervious burlap bags or synthetic net bags about 24" long, 12" wide, and 6" high.

CITY OF ARROYO GRANDE - ENGINEERING DEPARTMENT

STANDARD PLAN

ISSUE DATE:

CURB INLET BARRIER

654-AG

OCT 14, 2003

Don Spagnolo, P.E.
Director of Public Works/City Engineer
L.C.E. No. 42993

Sheet 1 of 1