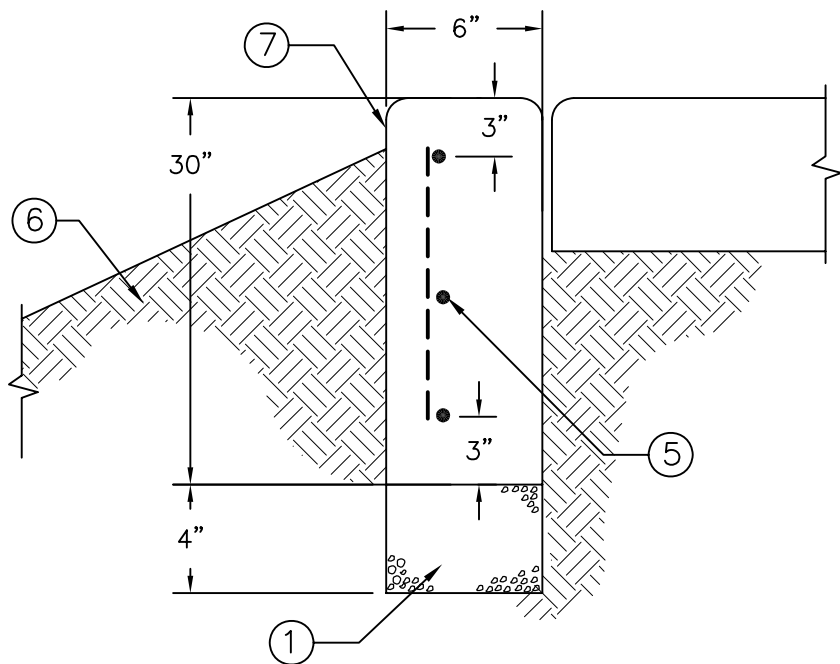


NOTES:

1. 6" Compacted Class II Aggregate base (Min.)
2. Concrete header shall have steel trowled finish and Type II - white pigmented sealing and curing compound.
3. Concrete shall be Class 520-C-2500 (5½ sack min., ¾" aggregate).
4. Subgrade to be compacted to 95% maximum density.
5. Continuous No. 4 reinforcing steel bar (18" lap at splices); No. 4 reinforcing steel bar at 16" o.c.
6. Slope (3:1 Max.) or Step.
7. ½" radius
8. Place ¾" score joint at 5' on center (Max.)



CITY OF ARROYO GRANDE - ENGINEERING DEPARTMENT

STANDARD
PLAN

ISSUE DATE:

**CONCRETE HEADER
AT SLOPE**

541-AG

JUL 1, 2004

Don Spagnolo, P.E.
Director of Public Works/City Engineer
L.C.E. No. 42993

Sheet 1 of 1