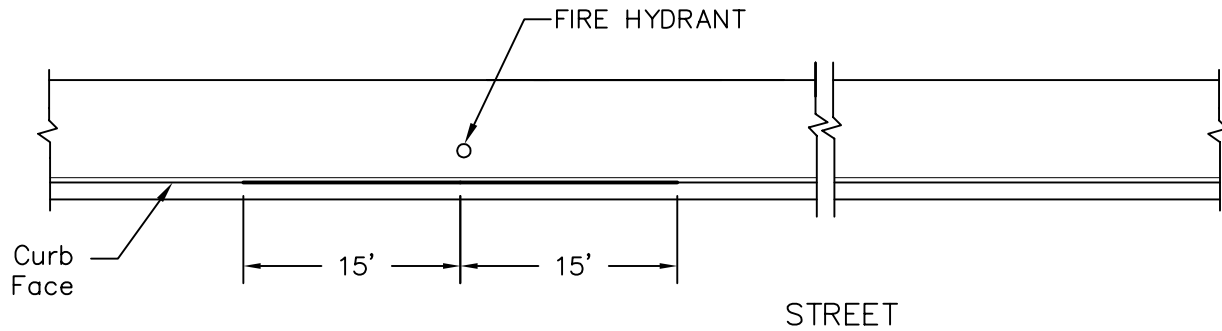
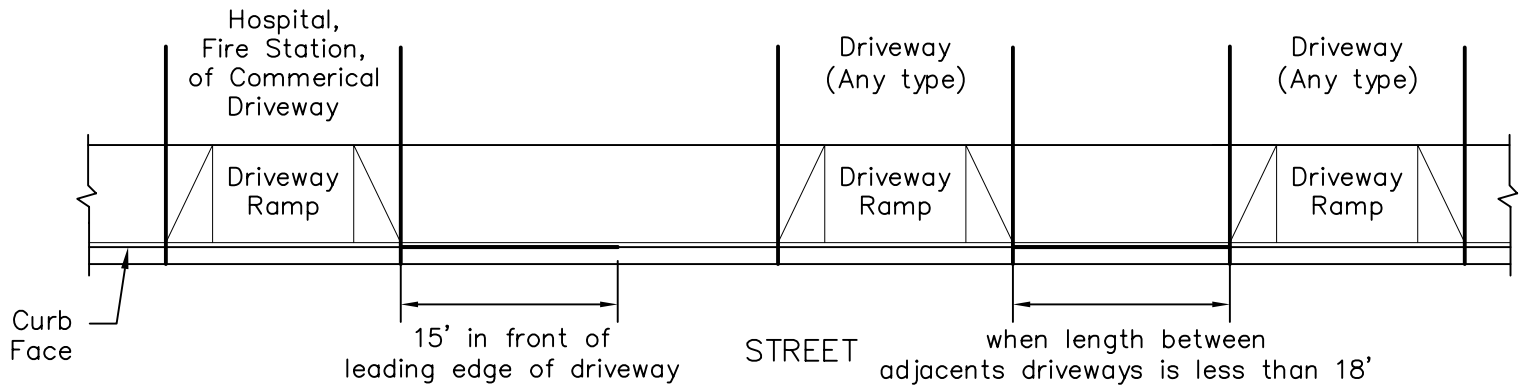


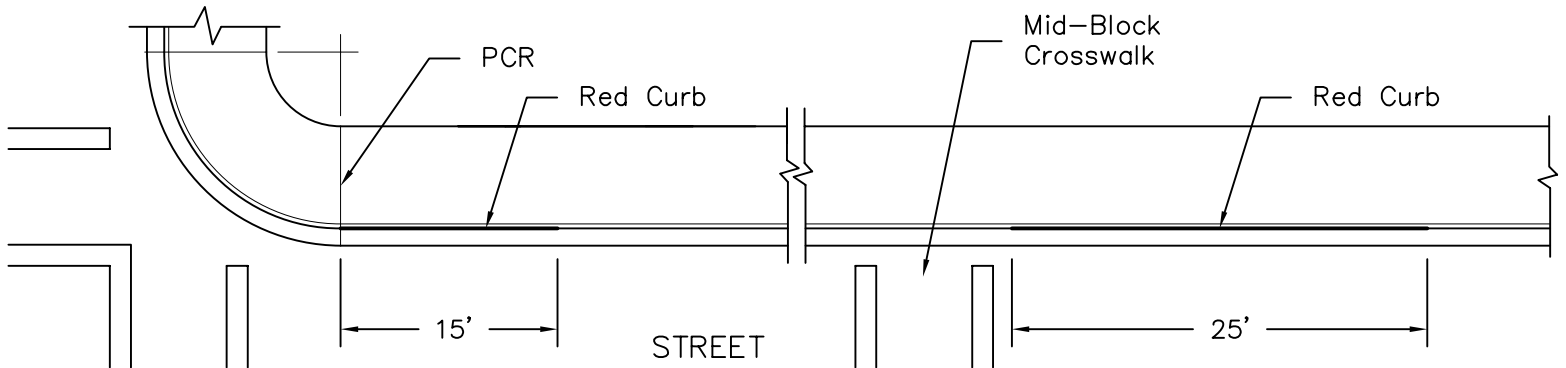
CASE 1: Fire Hydrant



CASE 2: Driveway Entrances



CASE 3: Crosswalk Locations



- NOTES:**
1. All red curb shall be placed in accordance with City of Arroyo Grande Municipal Code Title 10 Vehicles and Traffic, Chapter 10.16 Traffic, Section 10.16.020 Stopping and standing prohibited in certain places.
 2. All red curb measurements shall be made beginning at the Point of Curb Return (PCR).
 3. Red Curb paint shall be J.E. Bauer, Zone Lac Curb paint No. 2052A9, Red Latex Base or Equal.
 4. Curb shall be dry two days prior to application.
- REFERENCE:**
- 110-AG Driveway Approach
 - 104-AG Sight Distance Triangle
 - 120-AG Curb and Gutter - Barrier

CITY OF ARROYO GRANDE - ENGINEERING DEPARTMENT

STANDARD PLAN

ISSUE DATE:

RED CURB LAYOUT

125-AG

APR 1, 2005

Don Spagnolo, P.E.
Director of Public Works/City Engineer
L.C.E. No. 42993

Sheet 1 of 3