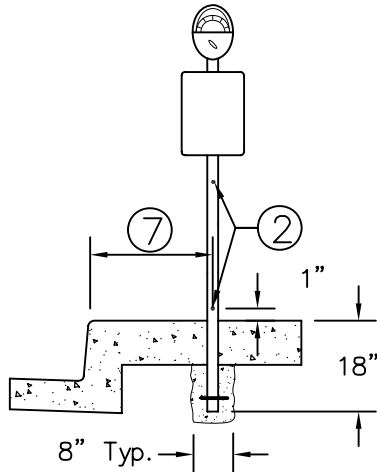
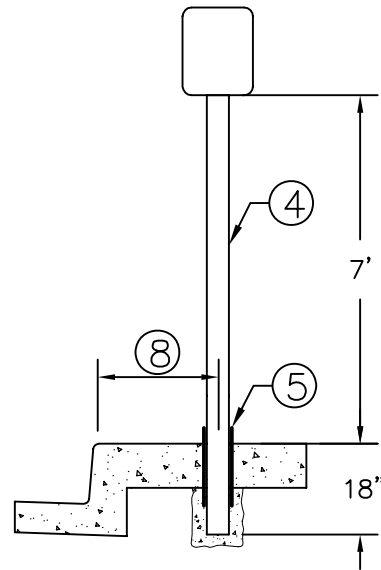


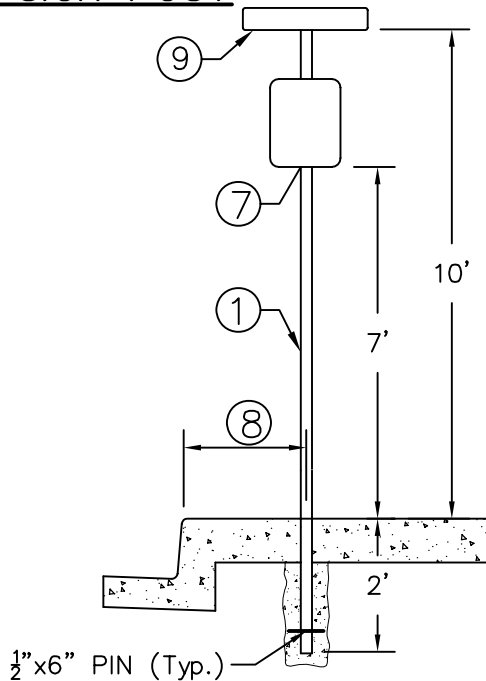
PARKING METER POST



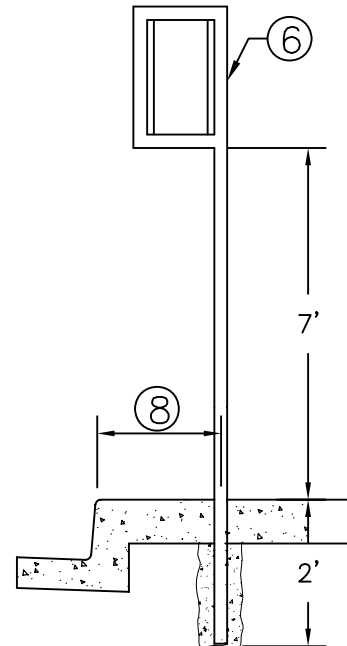
REDWOOD SIGN POST



PIPE SIGN POST



"P" SIGN POST



NOTES:

1. Painted 2½"Ø (inside) Black Steel pipe.
2. Drain hole, ¼"Ø, on one side only.
3. For placement core 8"Ø hole through existing sidewalk.
4. 4" x 4" redwood post, construction heart grade.
5. Install sidewalk sleeve per Standard Plan 643-AG.
6. 3" x 3" square steel tubing.
7. City to provide U-bracket clamps with tamper proof bolts.

8. Provide 18" setback if sign is 18" or less in width. Provide 22" setback if sign is greater than 18" wide, except "P" Sign.
9. Street Name sign per Standard Plan 162-AG.

REFERENCE:

- 103-AG Sign Placement
- 160-AG Street Parking
- 162-AG Street Name Sign
- 645-AG Sidewalk Post Sleeve

CITY OF ARROYO GRANDE - ENGINEERING DEPARTMENT

STANDARD
PLAN

ISSUE DATE:

**SIGN AND PARKING METER
POST**

105-AG

JUL 1, 2004

Don Spagnolo, P.E.
Director of Public Works/City Engineer
L.C.E. No. 42993

Sheet 1 of 1